



Inductive sensors with Ultra-Lock connection system

Fast, secure and reliable connections

Just one click and that's it: Bernstein senso

Push down instead of screwing down

Connectors with screw connections have a well-proven record of success in practical applications. Fitted correctly, they are secure and guarantee reliable contact even under the toughest conditions.

Nevertheless, screw connections do have their disadvantages. Wherever space is tight or constricted, such as on multiple distributor blocks, screwing down connections can soon become a time-consuming, tedious and fiddly task. And you never can be certain that the connection is really secure. The solution: Bernstein M12, M18 and M30 sensors are now also available with the efficient Ultra-Lock connection system. Compared to conventional screw connections, Ultra-Lock offers greater reliability, higher productivity and a distinct reduction in assembly costs. Connections can be made effectively even when working "blind".

Reliable connections

With a clearly audible "click" when plugged in, the Ultra-Lock connector guarantees quick and absolutely reliable connections and therefore dependable operation of the sensors.

- Faster and simpler assembly
- Lower assembly costs
- Connection with a distinctly audible "click" provides greater certainty in assembly
- Reliable connections reduce downtimes
- Retrocompatible to M12 screw-in connectors
- Extremely high disconnection forces

Applications

With their high degree of protection, Bernstein sensors with quick-connect system and Ultra-Lock cable couplings are particularly suitable for use in rough environments and in demanding industrial applications.

- Protection IP 67/68/69k
- Secure and reliable connection even when subjected to shaking and vibration
- Easy connection wherever space is tight and constricted
- Costs reduced by saving time in assembly/installation

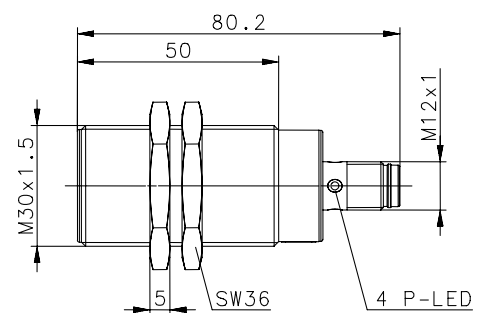
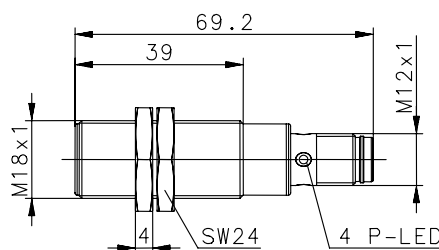
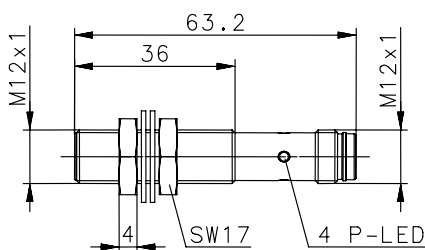
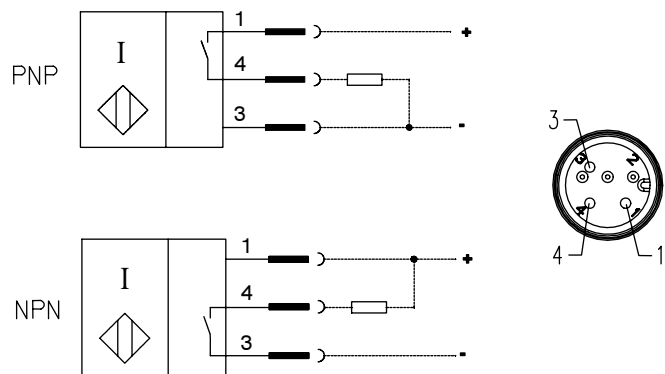


s with Ultra-Lock connectors



Complete versatility

Compatibility ensured:
Inductive sensors with Ultra-Lock plug-in connectors are fully retrocompatible, as the contact pattern and the number of poles are identical to those of all standard M 12 x 1 circular connectors. Thanks to these user-friendly features, the sensors can be used effectively both in existing as well as in new applications.



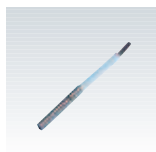
Delivery range

Article number	Article description	Type of housing	Operating voltage	Output current	Output	Switching function	Installation
650.2344.010	KIN-M12NS/004-KLS12U	M12	10-36 V DC	200 mA	NPN	Make contact	Non-flush
650.2944.015	KIN-M12PS/004-KLS12U	M12	10-36 V DC	200 mA	PNP	Make contact	Non-flush
650.2343.009	KIB-M12NS/002-KLS12U	M12	10-36 V DC	200 mA	NPN	Make contact	Flush
650.2943.017	KIB-M12PS/002-KLS12U	M12	10-36 V DC	200 mA	PNP	Make contact	Flush
650.2305.013	KIB-M18NS/005-KLS12U	M18	10-36 V DC	200 mA	NPN	Make contact	Flush
650.2905.026	KIB-M18PS/005-KLS12U	M18	10-36 V DC	200 mA	PNP	Make contact	Flush
650.2306.011	KIN-M18NS/008-KLS12U	M18	10-36 V DC	200 mA	NPN	Make contact	Non-flush
650.2906.021	KIN-M18PS/008-KLS12U	M18	10-36 V DC	200 mA	PNP	Make contact	Non-flush
650.2907.014	KIB-M30PS/010-KLS12U	M30	10-36 V DC	200 mA	PNP	Make contact	Flush
650.2908.008	KIN-M30PS/015-KLS12U	M30	10-36 V DC	200 mA	PNP	Make contact	Non-flush
413.9100.899	GDK-R12US/W00-2	Cable coupling, straight version with 2 m PVC connection cable 3*0,34 mm ²					
413.9100.906	WDK-R12US/W00-2	Cable coupling, angled version with 2 m PVC connection cable 3*0,34 mm ²					

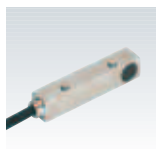
(other versions available on request)

Other sensors in the Bernstein range

Inductive sensors

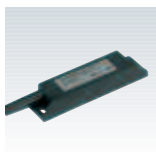


- Micro sensors
Ø 3 mm to Ø 6,5 mm
Operating distances 0,6 mm to 1,5 mm

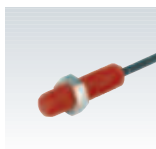


- Rectangular housings
5 x 5 mm to 68 x 30 x 15 mm
Operating distances 1 mm to 8 mm

Magnetic switches

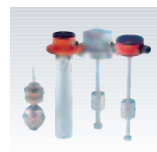


- Elektromechanical
Reed contact versions
Ø 6 mm to 88 x 13 x 25 mm



- Elektronik
Hall and magnetoresistive versions, Ø 6,5 mm to 68 x 30 x 15 mm

Float switches

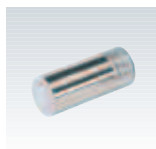


- Miniature and adjustable versions with 1 – 3 switching points

Capacitive sensors



- Metric housings
M 12 x 1 to M 32 x 1,5
Operating distances 2 mm to 30 mm



- Cylindrical housings
Ø 20 mm to Ø 34 mm
Operating distances 15 mm to 30 mm

Optoelectronic Sensors



- Metric housings
One-way systems, reflection light scanners, reflection light barriers
M 12 x 1 to M 30 x 1,5 mm



- Rectangular housings
One-way systems, reflection light scanners, reflection light barriers
12 x 12 mm to 88 x 63 x 24 mm

International Headquarters

Bernstein AG

Tieloser Weg 6
D-32457 Porta Westfalica
Phone +49 571 793-0
Fax +49 571 793-555
info@de.bernstein.eu
www.bernstein.eu

Service hotlines Product

+49 571 793-3000

Order

+49 571 793-3010

Technical

+49 571 793-3020

Denmark

Bernstein A/S

Phone +45 7020 0522
Fax +45 7020 0177
info@dk.bernstein.eu

France

Bernstein S.A.R.L.

Phone +33 1 64 66 32 50
Fax +33 1 64 66 10 02
info@fr.bernstein.eu

Netherlands

Bernstein BV

Phone +31 314 366088
Fax +31 314 361256
info@nl.bernstein.eu

Italy

Bernstein S.r.l.

Phone +39 035 4549037
Fax +39 035 4549647
info@it.bernstein.eu

Great Britain

Bernstein Ltd

Phone +44 1922 744999
Fax +44 1922 457555
info@uk.bernstein.eu

Austria

Bernstein GmbH

Phone +43 2256 62070-0
Fax +43 2256 62618
info@at.bernstein.eu

Switzerland

Bernstein (Schweiz) AG

Phone +41 44 775 71-71
Fax +41 44 775 71-72
info@ch.bernstein.eu

China

Bernstein Safe Solutions (Taicang) Co., Ltd.

Phone +86 512 81608180
Fax +86 512 81608181
info@bernstein-safesolutions.cn