

AWAX 26XXL AND AWAX 27XXL

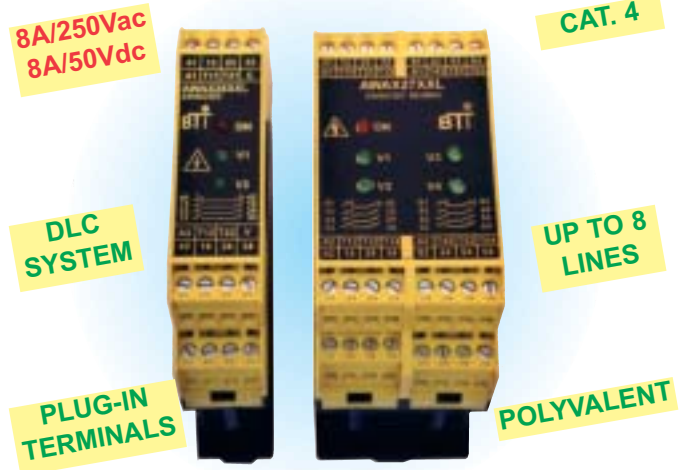
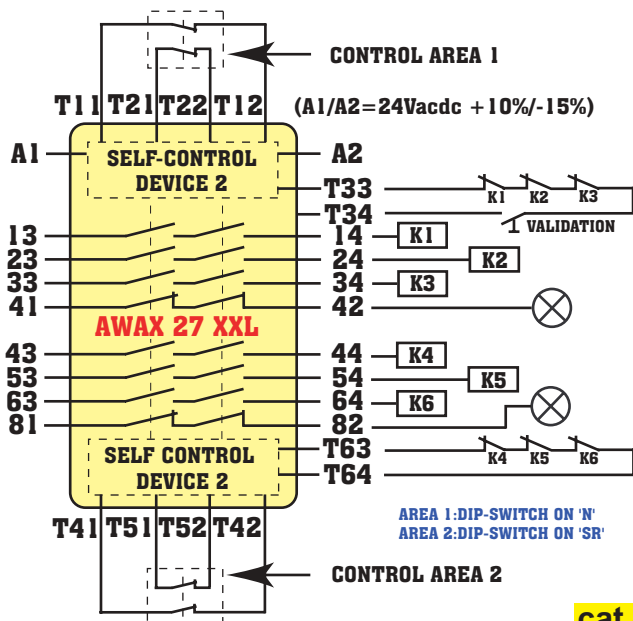
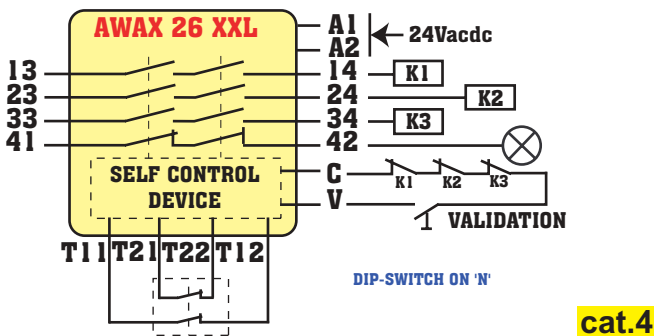
MULTI-FUNCTION MODULES

- Low consumption inputs
- Control of switches with Acotom® process
- Control of mechanical safety systems (grip switch, foot switch...)
- Dip switch to choose reset mode (automatic/manual)
- DLC system
- Dual area control (Awax27XXL)
- Power supply 24Vac/dc
- 22,5 mm or 45 mm housing
- Plug-in terminals

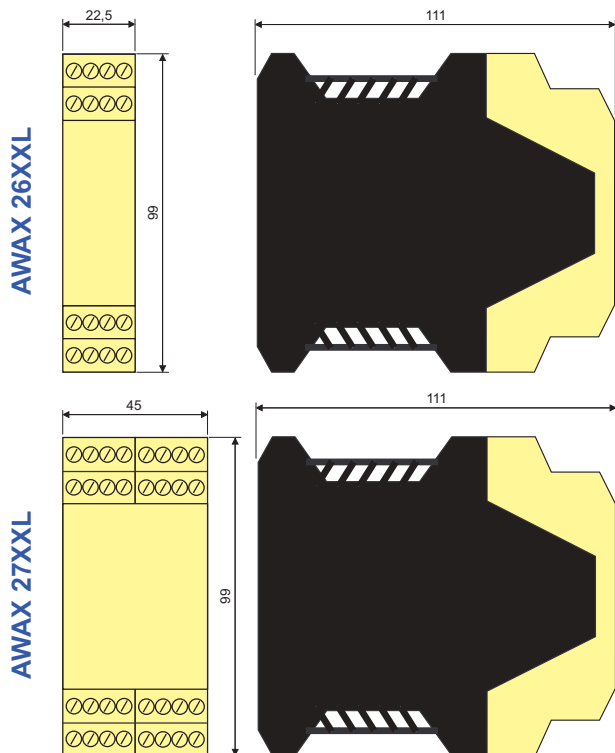
SAFETY CATEGORY

AWAX26XXL : category 4 according to EN 954-1
AWAX27XXL : category 4 according to EN 954-1
 EN 292, EN 418, EN 1088, EN 60204-1

WIRING DIAGRAM



DIMENSIONS



ADVICE

These safety modules are able to control up to 30 switches when there is an external power supply.



**INDUSTRIAL
SAFETY SALES INC.**

P.O. Box 126 -- 4112 Sheridan Road
Kenosha, WI 53141
Fax: (262) 652-1388
E-mail: safetysensing@earthlink.net

(262) 652-8660